

Powder Fire Extinguisher kg 6 Class of fire 55A 233B C

EN3 conformity certificate nr. **2807-2006** EC Approved Certificate: **CE-1370-PED-H-ABS001-09-ITA**



55

Organic solid materials, wood rubber, textiles etc.



233

Flammable liquids, gasoline, oil etc.



Flammable gases, methane, propane.

CYLINDER, CE MARKED PED 2014/68/UE

The design cylinder is manufactured according to UNI EN 3-3 and PED 2014/68/UE, the welding process and the welders' qualification is made according to the EN 288 and EN 1418, which require for each batch bursting and crush test at 26 bar.

The cylinder is made in 3 pieces with two domes (upper and lower) steel type DD12, one cylindrical shell, steel type DD12 and the neck gear steel type S235J2G3. The minimum elongation is 17%.

At about 30 bar begins shell deformation and the burst is always at minimum 60 bar.

In case of wrong pressurization with a pressure reducer, the great deformation allows to the operator to stop immediately to prevent a fatal accidents.

During normal pressurization, if a wrong pressure reducer introduce a higher pressure, the cylinder may burst suddenly without any advice and causing serious accident.

The cylinder is sand blasted with metallic sand and painted with epoxy-polyester powder Red color Ral 3000 resistant to the all weather and to the ultraviolet rays.

VALVE M30x1,5 SQUEEZE LEVER

The valve is made in brass (STCW617N) and it passed all the requirements of the directive PED 2014/68/UE.

With safety valve and complete with a green safety seal to improve the optical check from far.

Only a simple glance is enough to check if the extinguisher has been tampered.

PRESSURE GAUGE

Pressure gauge is brass, the thread is M10x1 with o-ring for easy unscrew to check the real internal pressure any time without need of tools.

If the indicator is in the green field, the extinguisher is ready to be used. If the indicator is in the red field, call immediately the authorized service staff.

DISCHARGE HOSE

Equipped with a highly flexible hose made in EPDM rubber with an excellent resistance manufactured from selected synthetic materials complete with brass discharge nozzle.

EXTINGUISHING AGENT

Our partners are prestigious companies such us Caldic Furex and Total (Germany), Rull Chemie, certified ISO 9001 with superior quality raw materials, with strict control.

The basic components of dry powder are ammonium phosphate and ammonium sulphate with special silicone additives enabling easy discharge and avoiding any caking process.



It may used on fires with live electricity



Made in Italy

Dry powder is not corrosive, not abrasive, not toxic for humans and animals.

Note: for refilling is not suggested to use other kind of powder. NEVER MIX WITH OTHER KIND.

USE

- 1) Pick up the extinguisher from the wall support and keep it in hand at the inferior leverage;
- 2) Pull out the safety pin (2) from the valve and keep in the other hand the hose (12) near the nozzle;
- 3) Squeeze the upper lever of the valve (1) and aim the jet at the base of the burning material, sweep the extinguishing agent right and left uniformly on the fire.

In case of fire of inflammable liquids don't approach too much, keep yourself distance in according to the local regulations.

In some country training is requested to use the extinguisher.

This extinguisher can be used on all the types of fire classes A B C and also on electrical equipment up to 1000 Volt at 1 m distance minimum. In laboratory the extinguisher succeeded the dielectric test at 35 KV at 1 mt distance.

Technical specifications

Extinguishing agent : powder ABC 90
 Propellant : nitrogen or dry air
 Nominal charge : 6 Kg
 Discharge time ~ : 17 sec
 Jet length ~ : 7 m
 Operating pressure : 14 bar at 20°C
 Test pressure according PED 2014/68/UE : 26 bar

Burst pressure : >55 bar
 Temperature range : -30°C +60°C

Dimensions

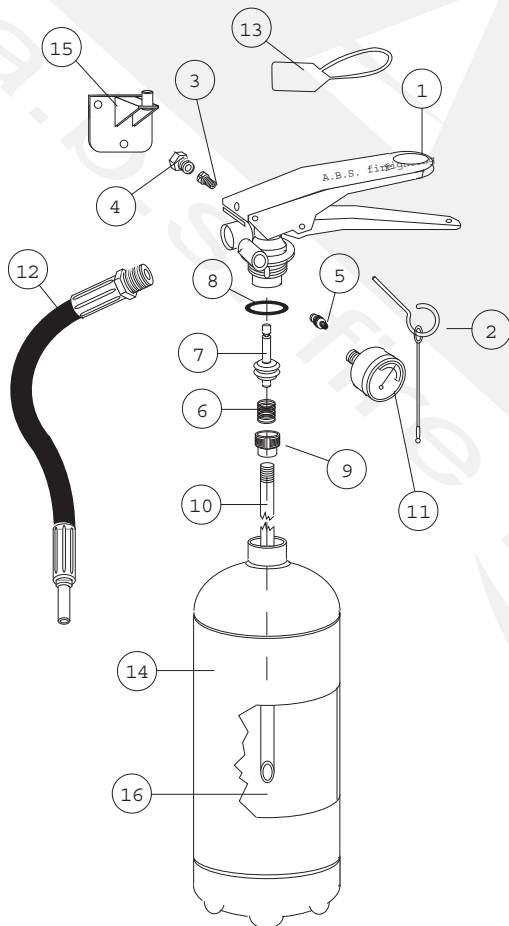
Height ~ : **570 mm**
 Width ~ : **310 mm**
 Diameter ~ : **160 mm**
 Weight ~ : **10.1 kg**



EN3/7



Made in Italy



Spare part list

Pos.	Description	Code	Q.ty
1	Complete valve	21821	1
2	Safety pin	21018	1
3	Safety valve (optional)	21083	1
4	Safety nut (optional)	21019	1
5	Check valve	21025	1
6	Spring	21094	1
7	Spindle	21060	1
8	O-ring of valve	21044	1
9	Siphon nut	21095	1
10	Siphon tube PVC	21720	1
11	Pressure gauge Ø 35	20532	1
12	Discharge hose	21612	1
13	Safety seal	28019	1
14	Cylinder (8,4 lt)	27607	1
15	Extinguisher bracket	21001	1
16	Powder ABC 90	31290	6 kg

OPTIONAL

Steel foot



Plastic foot



Plastic belt



The use of non original spare parts may cause malfunctions loss

Maintenance and Guarantee

Maintenance must be made periodically by, trained and certified staff, according to the local regulations of the country where it is located. The extinguisher is guaranteed for 12 months from the date of the supply. The guarantee includes, repairing or replacement, as manufacturer option. Unit must be sent back to the factory free of charge, only when authorized written agreement with our sales office has been reached.

The guarantee expires in case of tampering and bad maintenance made by not-authorized staff, or transport damages.

It must be recharged only by staff authorized and certified by **a.b.s. S.r.l.**, use only genuine original spare parts.